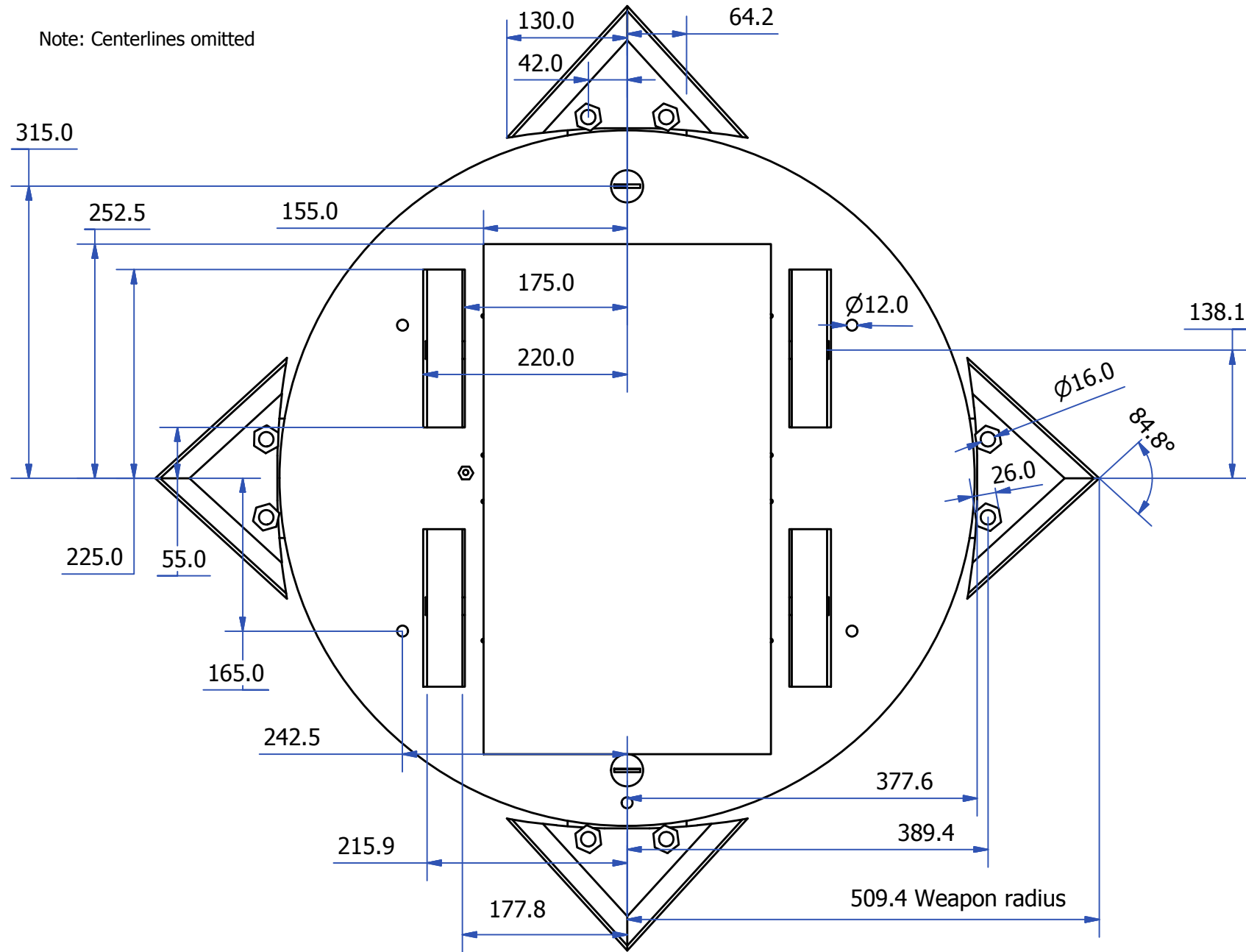
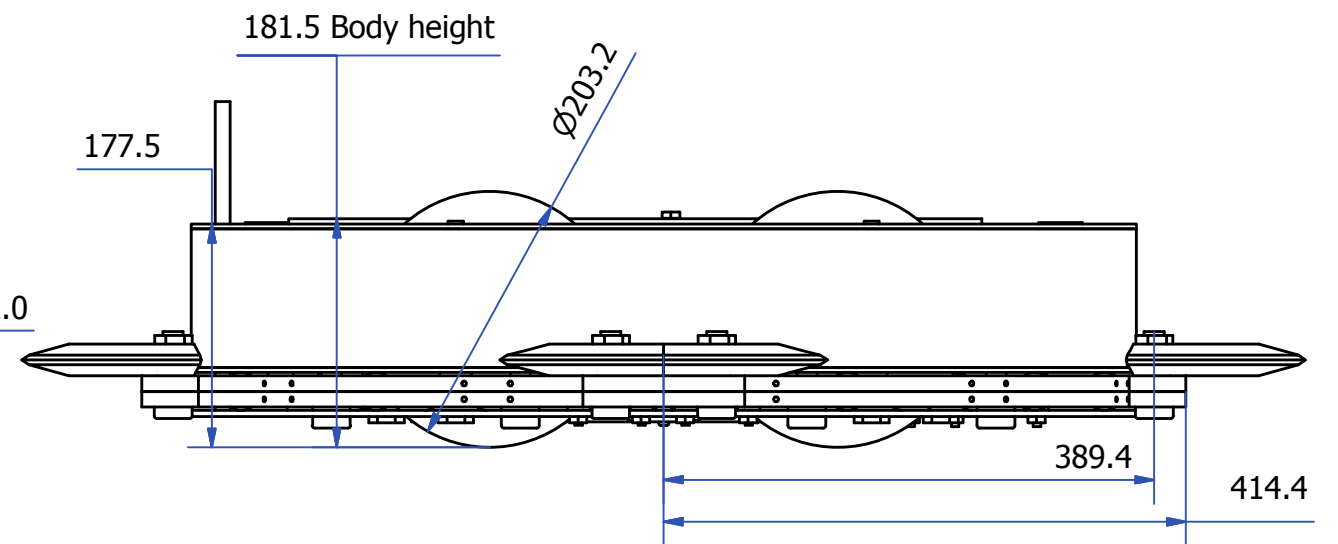
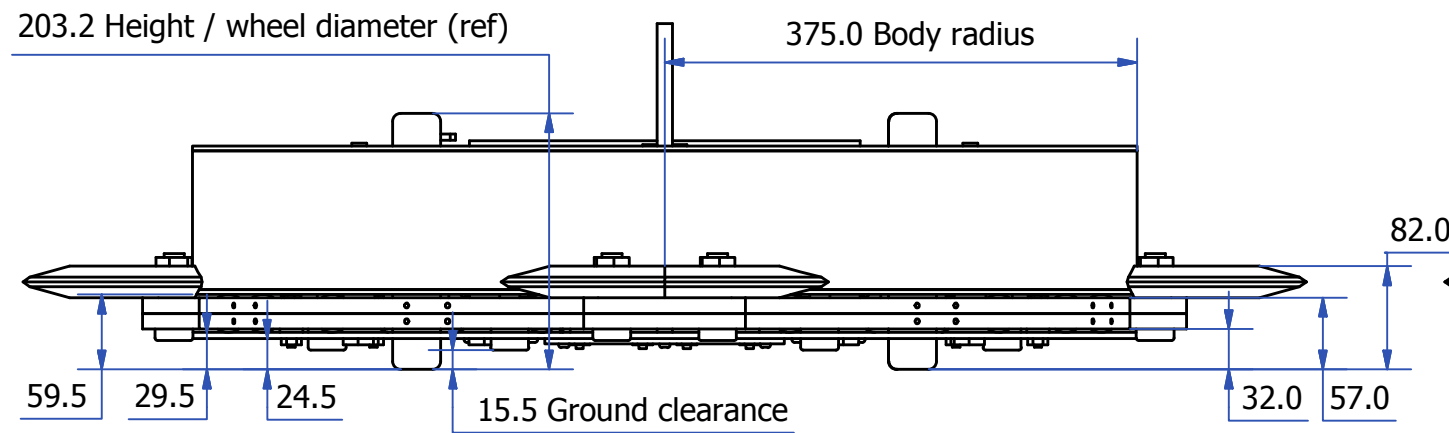
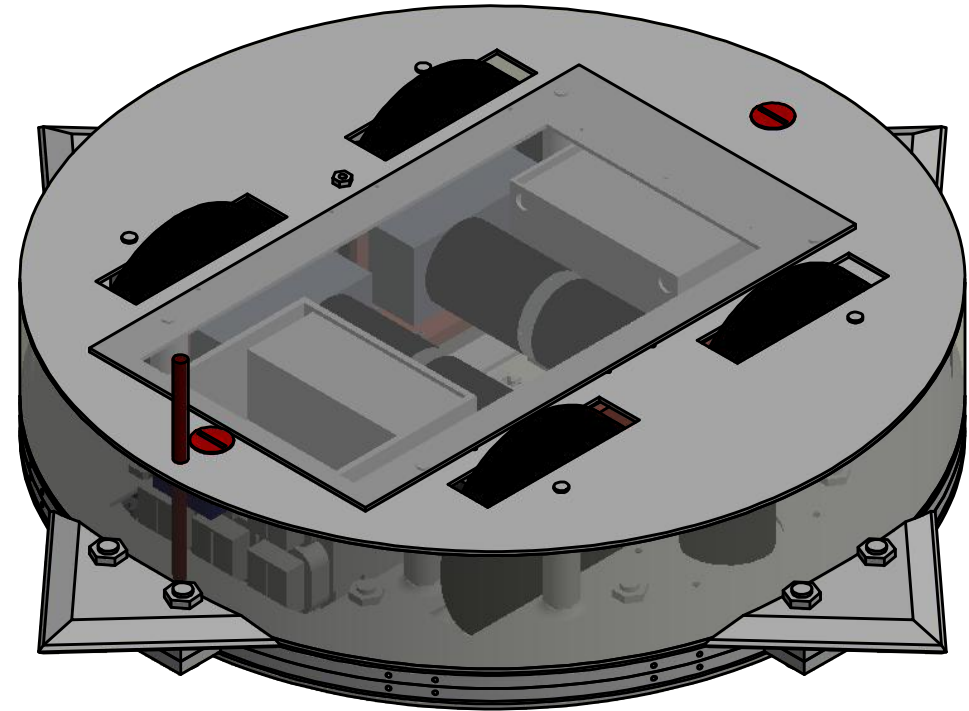


Note: Centerlines omitted



Top View



Change №	Name of Item	Changes Made	OK	Date

ALL TOLERANCES ARE ±0.1mm UNLESS OTHERWISE SPECIFIED ALL DIMENSIONS IN MILLIMETRES



DRAWN BY	Oliver Wilson
DATE	13/12/15
FILENAME	Mango.pdf
TUTOR	
GROUP №	

TITLE	Mangō		
DEPARTMENT	Mechanical Engineering		
FILE LOCATION			
Qty.	1	SCALE	1 : 6
SHEET	1 of 1		

